

## OPERATING & MAINTENANCE MANUAL



### CP WINCH RANGE CP250 / CP300 / CP500 110V or 240V x 1ph, 415V x 3ph

Part Nos: **CP250:** #9910 (110V), #9911 (240V) / **CP300:** #9912 (240V only)  
**CP500:** #9913 (240V), #9914 (415V)

CONFORMING TO  
BS EN14492 Cranes – Power Driven Winches and Hoists – Part 2: Power Driven Hoists

## CONTENTS

<b>INTRODUCTION</b>	3
<b>STANDARDS &amp; BHW GROUP LTD</b>	3
<b>WINCH INFORMATION</b>	
WINCH SPECIFICATIONS	4
WINCH DIMENSIONS	5
WINCH LABELS	5
WINCH FEATURES	6-7
<b>OPERATIONAL SAFETY</b>	
ENVIRONMENTAL CONSIDERATIONS	8
THE WINCH OPERATOR	9
WORKING ON SITE	9
<b>OPERATION</b>	
CIRCUIT DIAGRAM CP250	10
CIRCUIT DIAGRAM CP300, CP500 240V & CP500T 415V	11-13
CIRCUIT DIAGRAM RADIO REMOTE	14
<b>WIRE ROPES &amp; HOOKS</b>	
ISO 4309:2004/2010 DIRECTIVE	15
CARE OF THE WIRE ROPE	15
REPLACING THE WIRE ROPE	15
<b>MAINTENANCE</b>	
TAKING CARE OF THE WINCH	16
ROUTINE MAINTENANCE	16
TROUBLE SHOOTING	17
<b>WINCH PARTS</b>	
PARTS DIAGRAM CP250	18
PARTS DIAGRAM CP300	19
PARTS DIAGRAM CP500 240V	20
PARTS DIAGRAM CP500T 415V	21
PARTS LIST CP250 & CP300	22
PARTS LIST CP500 & CP500T	23
<b>WARRANTY</b>	
	24

## INTRODUCTION

### PLEASE READ THIS MANUAL CAREFULLY BEFORE INSTALLATION OR OPERATION OF THE WINCH

Those responsible for the installation and the operation of this winch must read and understand this manual. The first section deals with the installation requirements and the second section is for the user and provides information to ensure safe use of the winch.

These winches are of the highest quality and have been designed to give a robust and efficient service for many years if care and attention are given at all times to correct installation, operation and maintenance.

### PLEASE KEEP THIS MANUAL WITH THE WINCH

**NOTE: Hire companies should make the hirer fully aware of the safety issues and correct operation of this winch as detailed in this manual and ensure that the proposed operator is suitably trained.**

## STANDARDS & BHW GROUP LTD

The British Standard: BS EN14492-2 for power driven winch provide the means for conformity to essential Health and Safety requirements of the EN Machinery Directive and the essential Health & Safety at Work Act 1974.

Selecting the correct hoist for the application is very important not only from the health and safety aspect, but also to maximise product life and ensure the best value for money.

BHW Group Ltd products are fully compliant and carry a UKCA and CE mark. A Declaration of Conformity is also supplied with each product. BHW Group Ltd aim to ensure the correct machine is supplied to suit the application and we welcome the opportunity of discussing the proposed application and offer advice. It will help us considerably if information regarding the maximum and average loads to be lifted or pulled - and approximate frequency of use can be provided.



## PRE OPERATION CHECK

- Check for any transit damage.
- Check that all fixings and joints are tight and secure.
- Check the capacity of the hoist versus intended loads and ensure it is adequate for the task.
- Check that all external wiring is in good order.
- Check the wire rope to ensure that there is no damage – (see notes on Wire Ropes & Hooks, page 15).
- Check that the suspension point is fully capable of taking the proposed load bearing of operation.
- Check that the hooks (top and bottom) are in good order, the top hook is fully secured on the suspension point and that potential travel on the load hook is unimpeded.

## SETTING UP HOIST PRIOR TO USE

1. Check that all components of the winch are sound and in good working order.
2. Install and check the winch in accordance with instructions, ensuring that the hoist is suited to the task.
3. The winch is supplied with the wire rope already fitted to the drum. Remove the cotter pin and pin from the load hook. Pass the 'EYE' of the rope through the top plate and secure in place with the pin. Insert cotter pin and splay ends. Check that all fittings are secure (see section on Features – page 7 or Wire Ropes & Hooks on page 15).
4. Hooks must have a safety latch and a minimum rated capacity of 300kg.  
Use only high tensile grade 80 or 100 to comply with BS EN14492-2 standards.  
(Hooks supplied as standard from BHW Group Ltd are rated and stamped for lifting and have a safety factor of 4:1. Hook capacity for these machines are selected to ensure they are large enough to take webbing straps).
5. Fully test and check all wanderlead operations including Emergency Stop.
6. Ensure that hoist has suitable circuit breaker or fuse as part of the power supply and suitable earthing.
7. When installing on site, test the hoist, check the integrity of the selected mounting
8. Check that the wire rope is evenly wound on to the drum and generally fit for use, replace if damaged or worn (see section on wire ropes).
9. You are also advised that adherence to the directive ISO4309:2004/2010 regarding care, installation and disposal of wire ropes also applies to this range of winch (see section on Wire Ropes & Hooks, page 15).

## WINCH INFORMATION

### WINCH SPECIFICATIONS

#### Models

**CP WINCH 250kg / 300kg / 500kg**  
250kg = 110V or 240V x 1ph,  
300kg = 240V x 1ph  
500kg = 240V x 1ph, 415V x 3ph  
**BS EN 14492-2 Compliant**

#### Typical Uses

Vertical hoisting and lowering of loads.

#### Construction

Steel gears running in oil, in alloy housing

#### Motor

110V or 240V x 1ph, 415V x 3ph Rated IP44 (see ratings below).

SPECIFICATIONS		CP250	CP300	CP500	CP500T	
<b>Voltage options</b>		110V, 1ph	240V, 1ph	240V, 1ph	240V, 1ph	415V, 3ph
<b>Lifting:</b>	<b>Capacity</b>	250kg	300kg	500kg	500kg	500kg
	<b>Height of lift</b>	28m	28m	42m	42m	42m
<b>Weight:</b>	<b>Winch only</b>	34kg	38kg	55kg	54kg	54kg
	<b>Total kit average</b>	36kg	40kg	57kg	56kg	56kg
<b>Line speed:</b>	<b>1st layer</b>	10m/min	10m/min	10m/min	11.6m/min	11.6m/min
	<b>Last layer</b>	15m/min	15m/min	15m/min	18.3m/min	18.3m/min
<b>Duty cycle:</b>		1ph have a duty cycle of 25%, with a maximum of 60 starts per hour				
<b>Wire rope:</b>	<b>Diameter <math>\varnothing</math> x length</b>	5mm x 30m	5mm x 30m	7mm x 45m	7mm x 45m	7mm x 45m
	<b>Factor of safety</b>	Minimum factor of safety 5:1 (for lifting)				
<b>Motor type:</b>		Induction motor				
<b>Motor outputs:</b>	<b>Kilowatts</b>	0.75kW	1.15kW	1.8kW	1.58kW	1.58kW
	<b>Amperes</b>	10A	5A	7.6A	12.8A	4A
<b>Braking:</b>		Electromagnetic spring applied failsafe.				
<b>Drum:</b>	<b>Length</b>	110mm	110mm	220mm	220mm	220mm
	<b>Diameter <math>\varnothing</math></b>	94mm	94mm	102mm	102mm	102mm
	<b>Flange Diameter <math>\varnothing</math></b>	154mm	154mm	180mm	180mm	180mm
<b>Rope <math>\varnothing</math> to mean drum <math>\varnothing</math> ratio:</b>		20:1	20:1	18:1	18:1	18:1

#### Wanderlead

Tough, 3 button hand held control with 3m lead. IP65 (see below). Includes Emergency Stop. Other lead lengths are available on request.

#### Hooks (as supplied with CP winch)

300kg/500kg rated with safety latch. High tensile grade 80 or 100 in compliance with BS EN14492-2 standards.

#### IP (Ingress Protection) Ratings

**Motor = IP44** - Protection from entry by solid objects with a diameter or thickness greater than 1mm. Protection against water splashed from any direction – limited ingress permitted.

**Wanderlead Control = IP65** – Totally protected against dust. Protection against strong jets of water – limited ingress permitted.

#### Machine Insulation Class

**F** - Maximum operation temperature of 155° C (311° F).

Allowable temperature rise at full load 1.0 service factor motor = 105° and at full load 1.15 service factor motor = 115°.

#### Lubrication & Recommended Oils

Gear Box: EP80/140 or equivalent

#### Noise Level

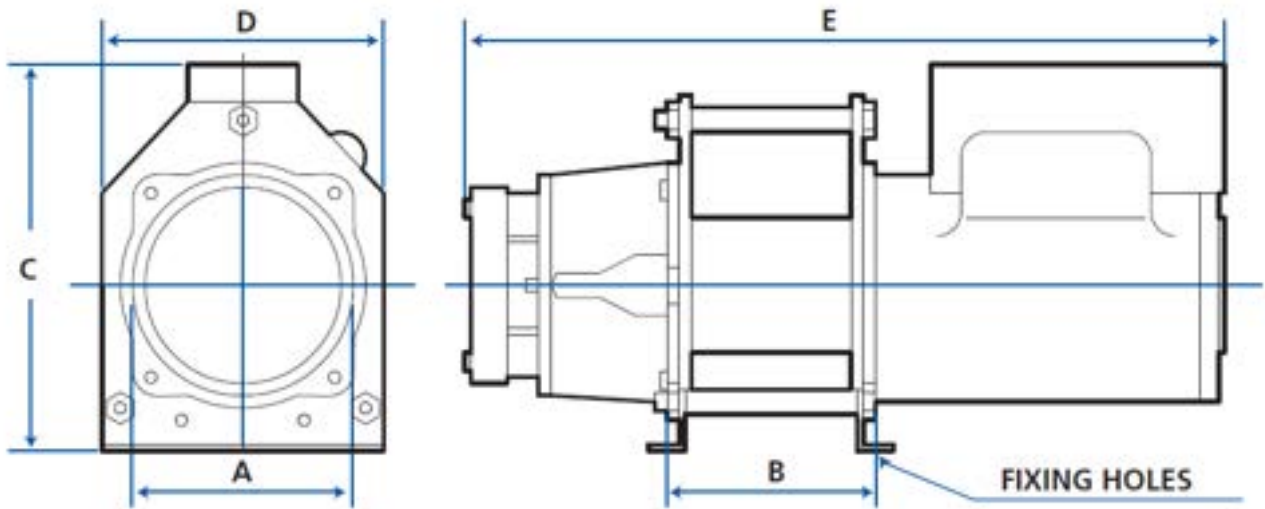
80db

#### Ambient Temp. Operating Range

-10°C to 40°C (humidity must be below 90%)

**WINCH INFORMATION**

**CP WINCH DIMENSIONS**

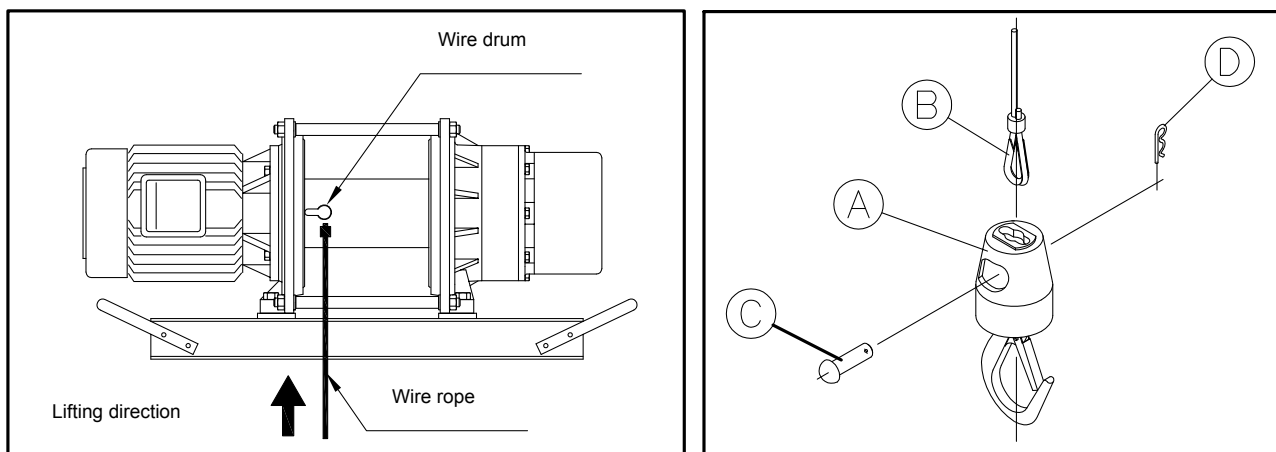


WINCH DIMENSIONS mm						
MODEL	A	B	C	D	E	Fixing holes
CP250	142	142	241	210	548	4 off Ø 10.5
CP300	142	142	241	210	576	4 off Ø 10.5
CP500	156	267	299	260	694	4 off Ø 13.5

**CWS HOIST LABELS**



## CP WINCH - FEATURES



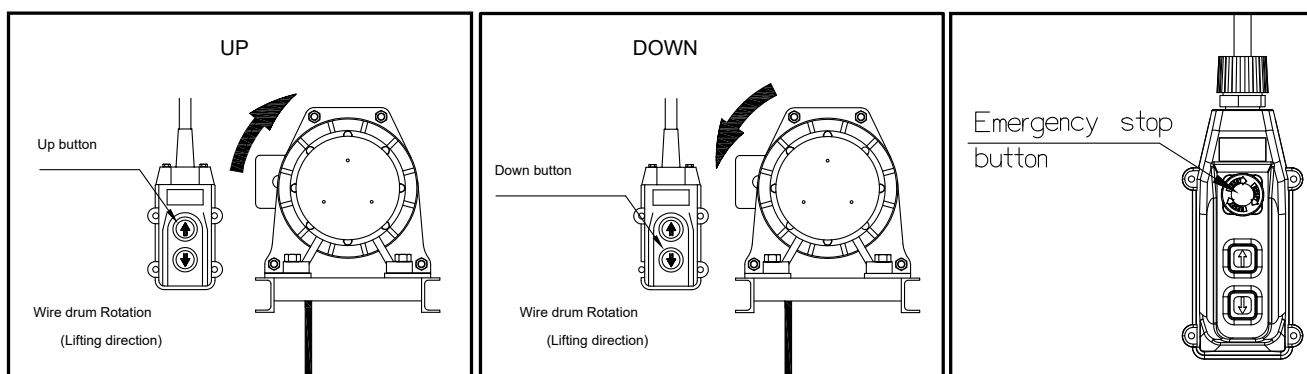
### MOUNTING & SAFETY

It is generally envisaged that a secure, load tested surface will be the main support for the winch. All surfaces and bolts used must be capable of holding a load of 25% above the rated load of the winch used.

### OPERATING THE CP WINCH

To operate the CP winch

- Twist and release the Emergency stop button
- Press the 'UP' button to raise the load
- Press the 'DOWN' button to lower the load
- Press the 'EMERGENCY STOP' button to isolate the control



## CP WINCH - FEATURES (continued)

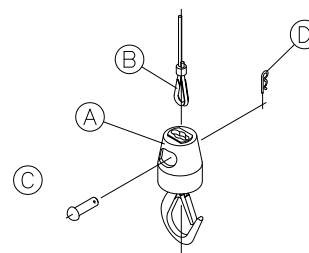
### SWIVEL LOAD HOOK & SPIN RESISTANT WIRE ROPE

The appropriate wire rope and load hook are both supplied with new CP winch, with the wire rope already installed. Ropes and hooks for CP winch are specifically calibrated for the safe working load of each model. The wire rope is passed through the top plate of the hook and secured with the pin and cotter pin provided.

Hooks are weighted swivel type, with a safety catch.

Ropes should be spin resistant, galvanised 7 x 18 wire core.

Replacement ropes and hooks should be of the same relevant calibration and are available from BHW Group Ltd sales. Please refer to the section on Parts (pages 14-16).



### WIRE ROPES ARE NOT COVERED UNDER WARRANTY.

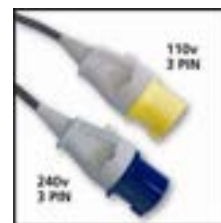
### POWER AND WANDERLEAD SOCKETS

The power socket and wanderlead socket are protected with screw in dust covers which should be replaced when the ports are not in use.

#### WINCH POWER SOCKET

The power lead provided with the hoist has a 5 metre lead to a 3 pin socket for either 110V or 240V depending on the voltage model.

It is not recommended to extend the power lead to above 20 metres as there will be voltage drop which will affect performance of the winch.



#### WANDERLEAD POWER CONTROL WITH EMERGENCY STOP

The wanderlead provided on single phase versions winch uses either 7 pin bayonet / screw tight plug or pre-wired to the motor (model dependant) on a 3 metre lead to a 3 button (including Emergency Stop) control. Press the 'UP' and 'DOWN' buttons to activate the winch, activity will stop once either of these buttons are released.



The wanderlead provided on winch using low voltage controls versions are pre-wired to the control box (model dependant) on a 3 metre lead to a 3 button (including Emergency Stop) control. Press the 'UP' and 'DOWN' buttons to activate the winch, activity will stop once either of these buttons are released.



**EMERGENCY STOP** If the emergency stop button is used, hoist operation will immediately cease. Once the operator is sure that any potential problem with operations has been solved, the hoist can be put back into use. To do this, the emergency stop needs to be reset by a small turn clockwise to release the button. 'UP' and 'DOWN' control can then be resumed.

**NOTE:** Cables should be kept away from the area of operation. Both cables should be attached to the hanging clip on the side of the motor housing. It is a good idea to also attach the cables to a hook above the winch, or place the wires over the suspension bar where possible to ensure that cables do not obstruct the operation of the hoist.

## OPERATIONAL SAFETY

### ENVIRONMENTAL CONSIDERATIONS

Protect the hoist from unsuitable environmental conditions. The motor is IP44 rated, the wanderlead control is IP65 rated.

Avoid temperatures under -10° C or above 40° C. Conditions with humidity above 90% may also affect hoist performance.

Avoid heavy acidic or salt environments. Protect the winch and controls from excessive exposure to rain or snow or other moisture ingress.

As with all electrical equipment, general exposure to excessive dust pollution, gas emissions or flammable / corrosive liquids, or any potentially explosive environment should also be avoided.

### THE WINCH OPERATOR

The winch should be operated by designated and fully trained operators only. Operators should wear suitable work wear for on site operations including safety gloves, helmets, steel reinforced footwear and protective clothing.

The operator should not engage in any activity which will divert attention from operating the winch.

Operators are advised to check that the top hook is safely attached to the suspension point, that the safety catch on the hook is fully closed and the suspension point is fully capable of supporting lifting operations. The winch should be further secured or bracketed to the suspension arm to prevent it coming off of the suspension point. Open ended suspension bars should have an additional bracket or suitable fixture at the end point.

The power supply lead should be firmly screwed into the socket, and the wanderlead screwed tight to its socket and both clipped to the housing before use. Both are supplied with a retaining plate attached to the cable, and the winch are supplied with a side clip for this purpose (see previous page). Extensions attached to the 3 pin power socket should use the approved 3 pin plug (for either 240V or 110V as appropriate, and should not exceed an additional 15 metres – to avoid voltage drop.

Prior to use, the operator should check each operation mode (lift / descend / emergency stop) to ensure that all hoist activities are fully operational. Operators should also make sure that loads are safe to move and that the working area is clear of personnel and obstructions.

Operators should not attempt to use the hoist if any aspect of the lifting operation or its surrounding environment is deemed unsafe.

### WORKING ON SITE



Winch should **NEVER** be used for the transport or lifting of personnel. Loads should **NEVER** pass over the heads of personnel or in any way compromise on site safety.

Using the wanderlead, stand away from the load and use the lift or descend buttons according to need. Use suitable chains or strops to engage the load on to the lifting hook. Make sure that the load and its route is not obstructed in any way.



The wire rope must form a straight line from the load hook to the suspension point. All loads should be securely hitched, PROPERLY BALANCED and central to the lift, with the load hook safety latch closed, before any lift is made.

If the load is not balanced and centred correctly the wire rope will bunch to one side of the drum, impede operation and damage the wire rope and drum flange. An unbalanced or off centre load is also dangerous.



**WATCH WHAT YOU ARE DOING.** Do not get distracted from the task. Always keep an eye on the winch and the load to ensure safe operation.

**NEVER WRAP THE WIRE ROPE AROUND A LOAD TO ENGAGE THE HOOK.**  
**NEVER STAND UNDERNEATH, OR CLOSE TO THE LOAD.**  
**WEAR PROTECTIVE CLOTHING – ESPECIALLY GLOVES.**



Make sure that the hoist is fully capable of lifting the intended load.  
**DO NOT** attempt to lift loads that are beyond the hoist capacity (see specifications, page 4).  
**NEVER** use the hoist beyond the rated duty cycles shown in specifications.  
 The efficiency and life of a CWS hoist is dependent on weights of loads and working frequency. All CWS hoists are rated at a 25% duty cycle, with a maximum of 60 starts per hour – this includes lifting and lowering. Exceeding the duty cycle or overloading the hoist will cause unnecessary stress to component parts, and shorten the life of the machine, or may cause it to fail.

## OPERATIONAL SAFETY

**CHECK ALL EQUIPMENT:** The winch, power lead, wanderlead, wire rope - and any chains, ropes and slings used for lifting should be continually inspected for damage or obvious wear that could make them unsafe to work with. Damaged accessory items should be replaced, not repaired (see notes on Routine Maintenance, page 16).

**MAKE SURE THE WINCH IS SAFE WHEN UNATTENDED:** Before leaving a winch unattended, the operator should lower any load onto the floor or on to an appropriate support and disconnect the winch. The unloaded hook should be raised clear of all passing personnel and traffic. The winch should be fully switched OFF when not in use. Wanderleads, power leads, strops and slings etc., should be neatly stowed away to avoid any trip hazard.

## OPERATION

**Gearbox** – The winch has been supplied from new with the gearbox pre-greased with Lithium gear type.

Gear lubrication is very important to ensure the long life of the winch.

When replacing grease, please take note of the following advice:

For ambient temperature of approx.  $-10^{\circ}$  to  $+40^{\circ}\text{C}$ , a gear grease with mild high-pressure additives should be used.

Under higher or lower than ambient temperatures, the type of oil used for the gearbox should be adapted to the specific conditions.

**DO NOT USE GREASE OR OIL ON THE WIRE ROPE. USE A PROPRIETARY WIRE ROPE LUBRICANT.**

### CONNECTION TO THE ELECTRICAL SUPPLY – 110V or 240V x 1ph, 415V x 3ph

An AC supply is required at the appropriate voltage for the winch. The supply voltage and frequency at which the winch operates is marked on the motor rating plate as **either** 110V or 240V x 1ph, 415V x 3ph.

**IT IS IMPERATIVE TO CHECK THAT YOU ARE USING THE CORRECT VOLTAGE.**

Cables supplying the winch with power should be kept clear of the operating area and not impede the winch. A suitable circuit breaker or fuse should be installed in the power supply to the winch, and checked regularly.

### COMMISSIONING THE WINCH

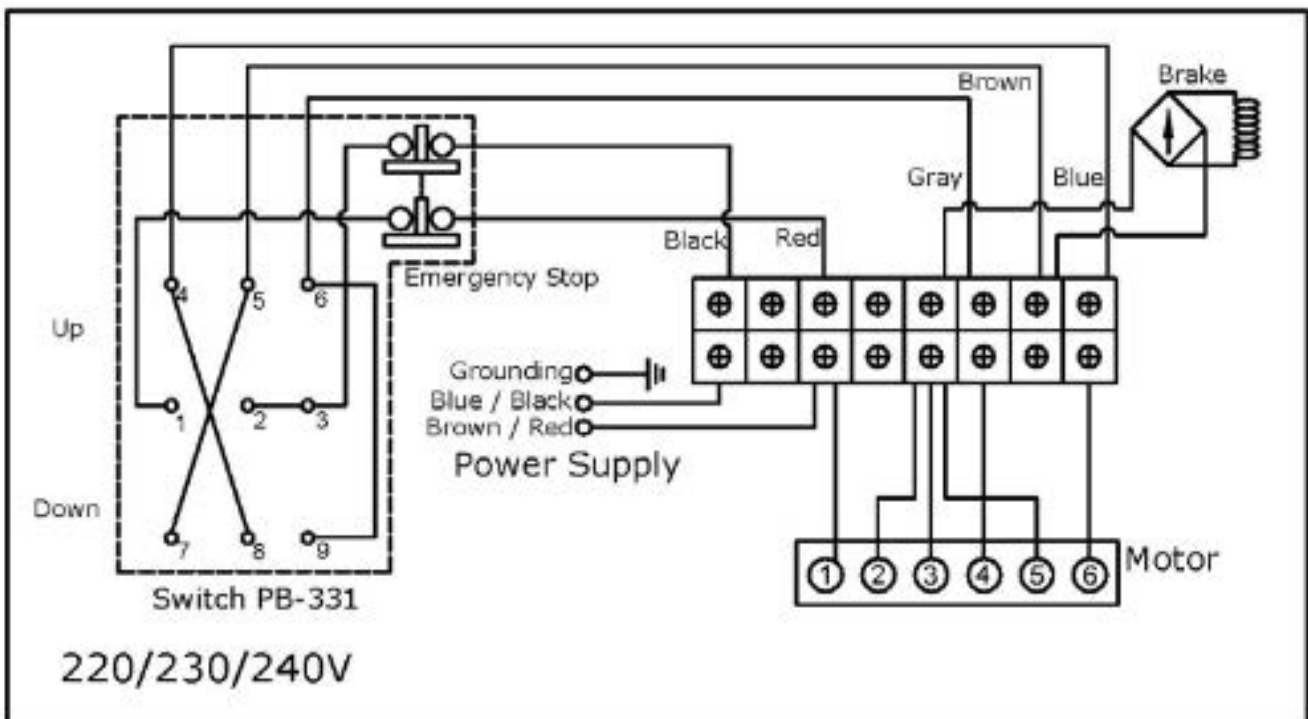
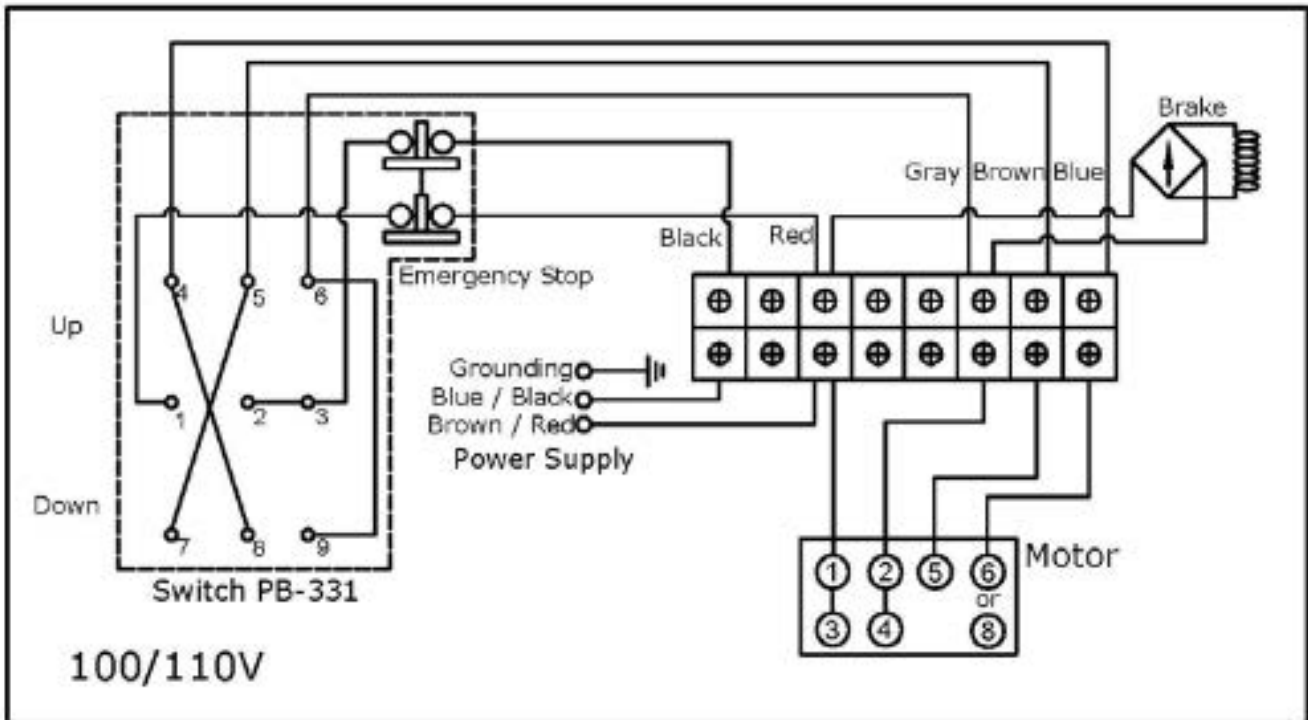
On completion of pre-operation, but before the winch is put into regular service, the following procedures should be carried out.

- Isolate the power supply.
- Check that all mechanical and electrical joints and connections are tight and secure.
- Connect the wanderlead control to the side of the winch, screw the threaded fitting home and attach cable to the retention clip on the side of the winch.
- Connect power cable to supply.
- Switch on power supply.
- Run the full extent of winch without a load and check that the operation is smooth at all times. A slight tension on the wire rope is advised to ensure smooth running to and from the drum.
- Check operation of hoist emergency stop, under both light load and full load conditions

NOTE: If the winch is not being used on a regular basis it should be powered in and out from time to time to minimise corrosion of the internal motor components that may occur due to condensation. Energising the motor will generate heat, which will help dissipate any moisture.

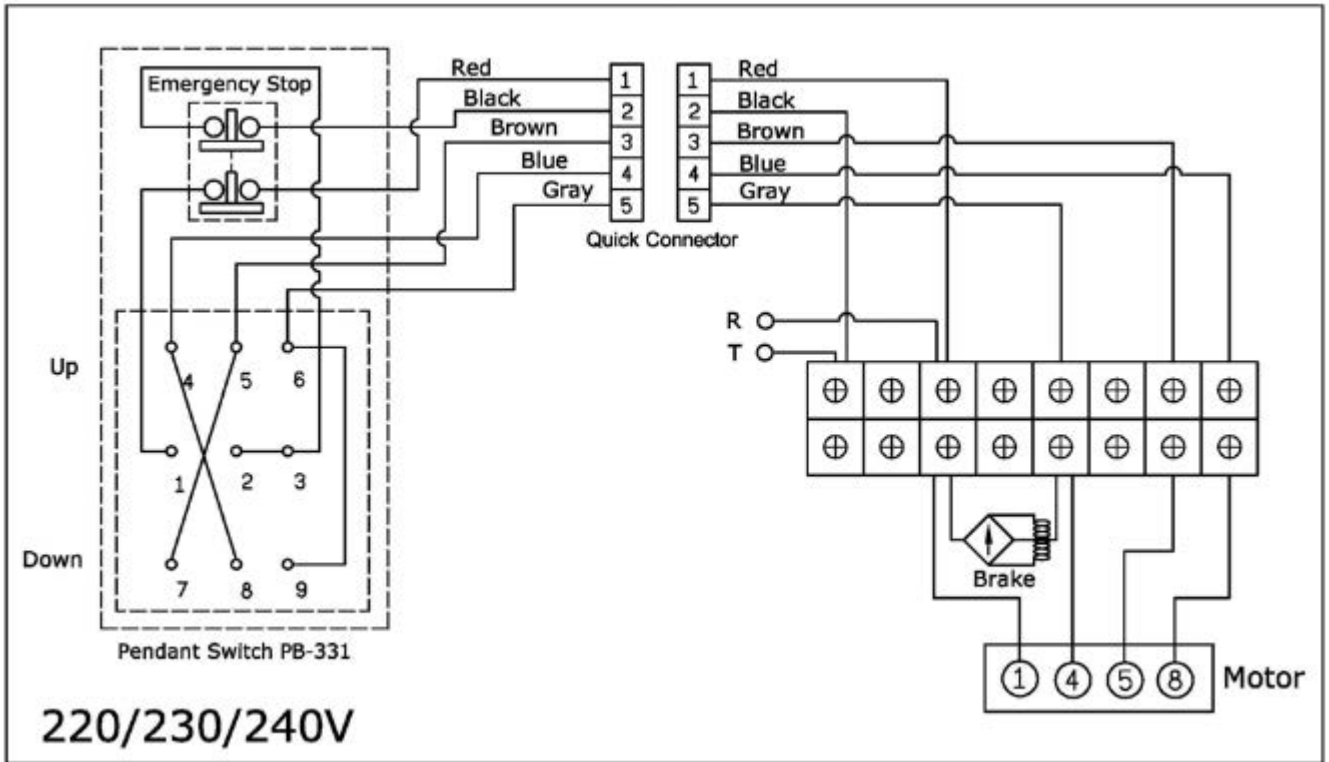
**OPERATION**

**CIRCUITRY CP250** - The basic circuit details for 110V and 240V are shown below:



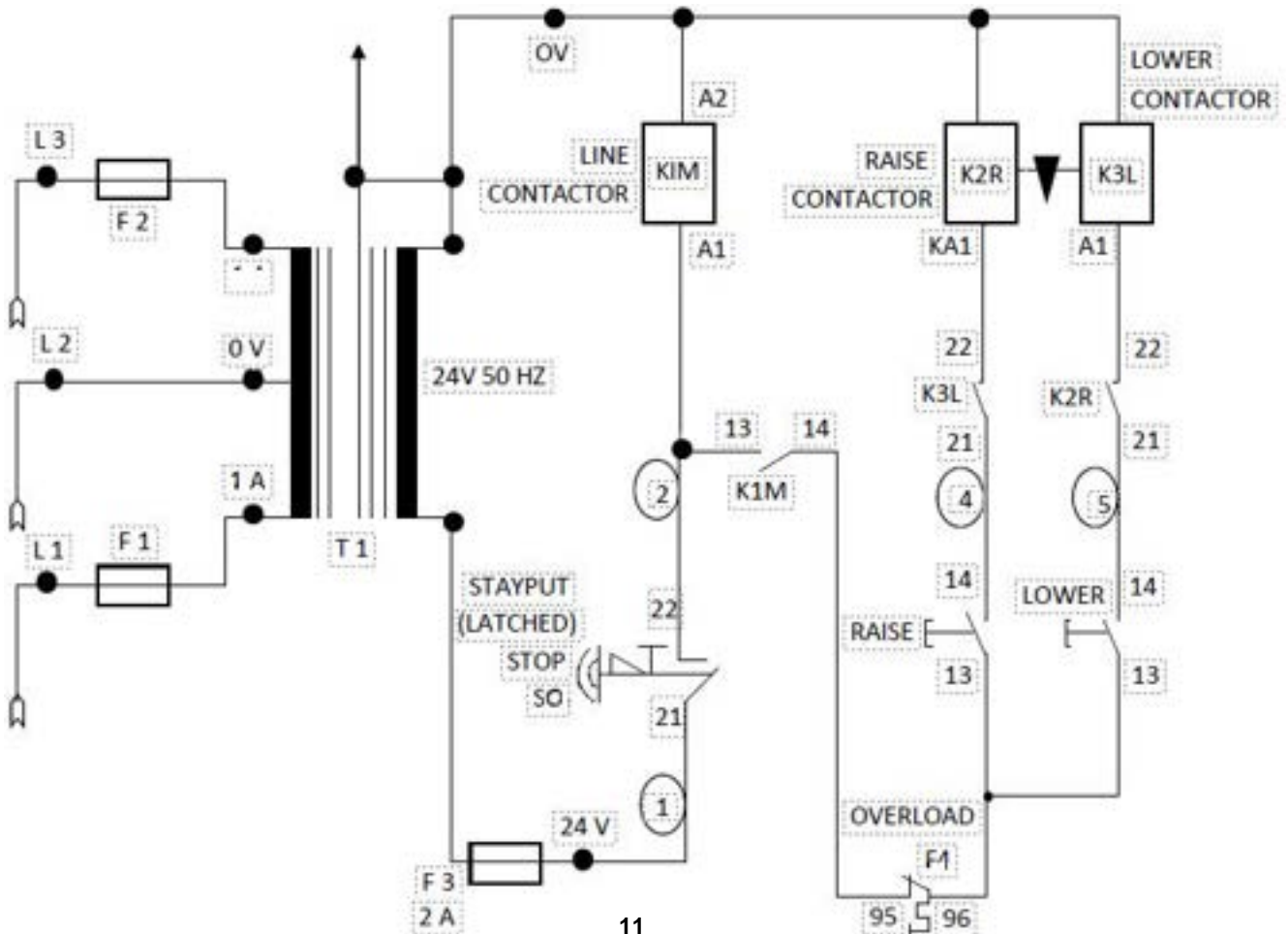
**OPERATION**

**CIRCUITRY CP300 / CP500** - The basic circuit details 240V only are shown below:



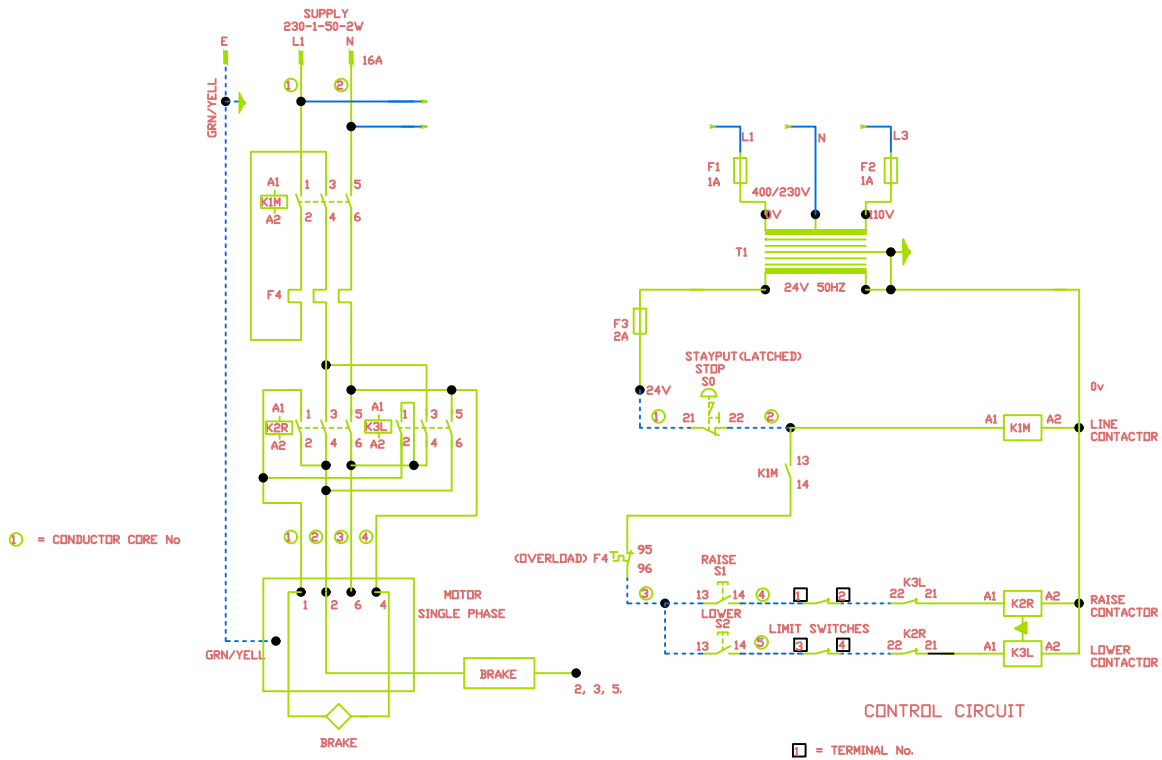
**OPERATION**

**CIRCUITRY CP500T** - The basic circuit details 415V only are shown below:



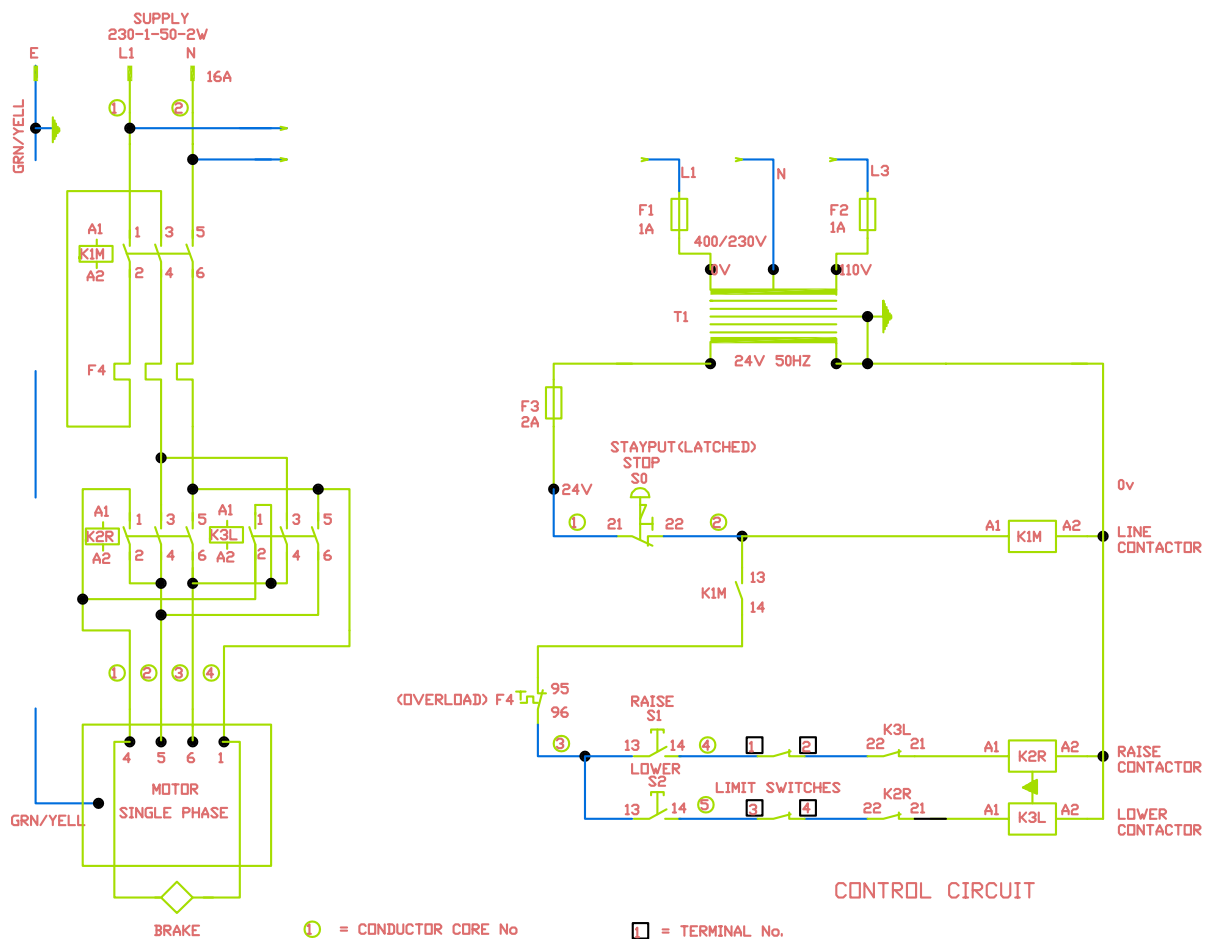
## OPERATION

CIRCUITRY CP250 - Motor connection 240V only is shown below:



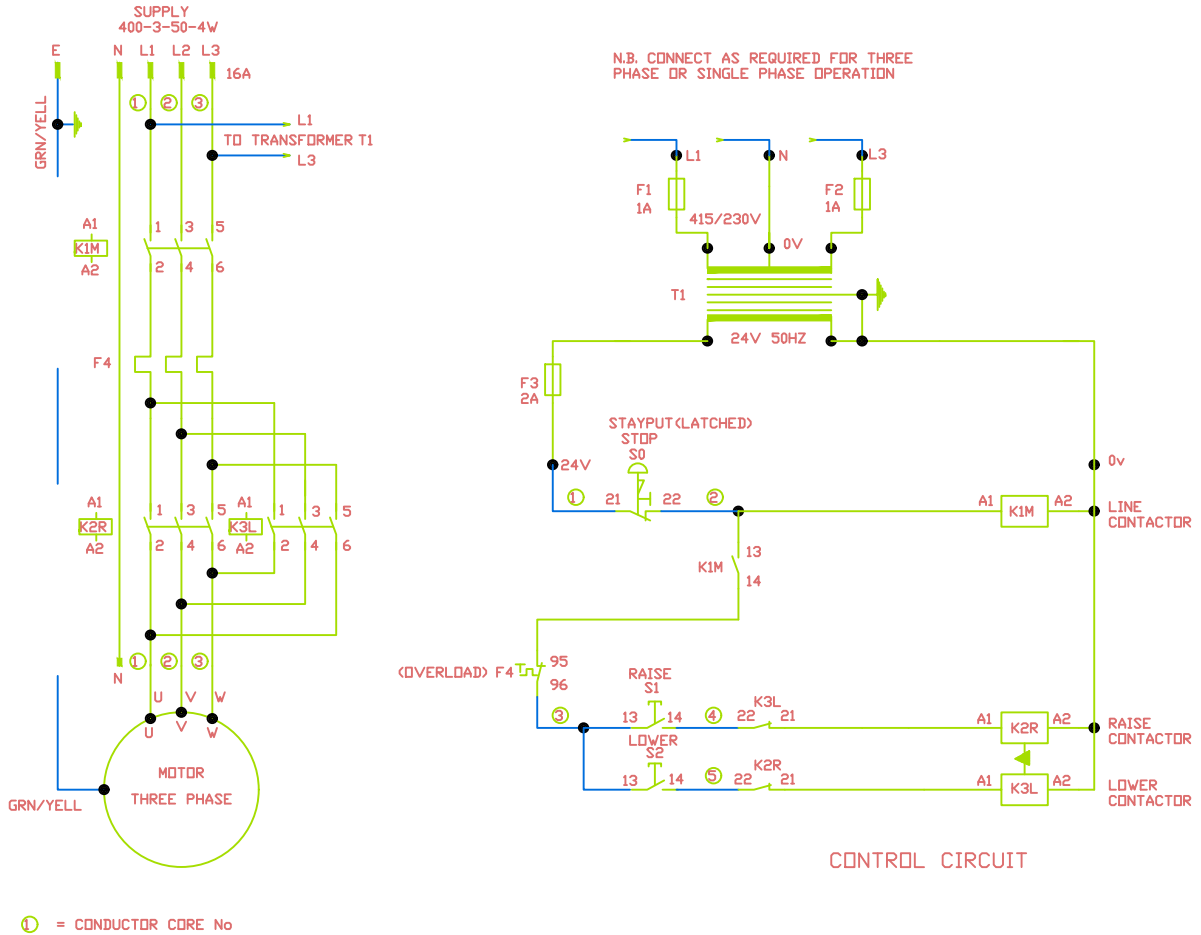
## OPERATION

CIRCUITRY CP300 / CP500 - Motor connection 240V only is shown below:



## OPERATION CIRCUITRY CP500T

The basic circuit details 415V only are shown below:





## WIRE ROPE INFORMATION

### NOTE: ISO 4309:2004/2010 – WIRE ROPES DIRECTIVE

ISO 4309:2004 / 2010 details guidelines for the care, installation, maintenance and examination of wire rope in service on winches, hoists and cranes, and enumerates the discard criteria to be applied to promote the safe use of the machinery.

*It is important that these guidelines - for safe care, installation and ultimately disposal of wire ropes is strictly adhered to according to this directive.*

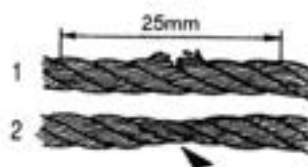
For hoisting applications the minimum breaking force (MBF) of the wire rope must be 5 x the lifting capacity of the hoist. The ratio of wire rope diameter to mean drum diameter\* is usually at least 15:1. This will vary according to the application, the average operating time per day and the average and maximum weights being lifted.

### CARE OF THE WIRE ROPE

It is most important that the wire rope is inspected on a regular basis, for kinks, flat spots, broken strands and other damage caused by wear and tear or possible misuse.

Check both the rope and the hook and replace under any of the following circumstances:

- 10 strands of rope or more broken with a space of 25mm (see fig.1).
- Rope shows visible signs of wasting (see fig.2).
- Deformed or excessively corroded rope.
- Twisted rope.
- Bent rope.
- Broken or faulty safety catch on hook
- Damage or distortion to steel plate above hook



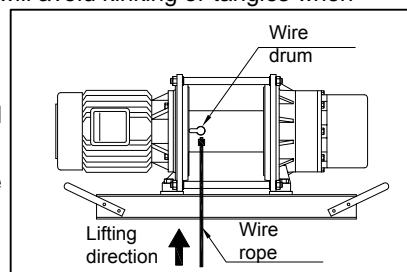
The wire rope or load hook should be replaced if damaged or worn.

After using the hoist always check to ensure that the wire rope is layered evenly on the drum. If this is not the case, power out the wire rope and rewind it to ensure even layers. This will significantly extend wire rope life. Normally the tension can be applied by hand – wear gloves.

Under no circumstances wrap the wire rope around the load being recovered and then attach the hook back on to the rope. This will result in serious rope damage or breakage. Always employ a chain or webbing strap from the hook to the load.

### REPLACING THE WIRE ROPE

1. Wearing protective gloves (at all times during the replacement of the wire rope), power out the old wire rope from the hoist until fixtures are visible on the drum.
2. Using a suitable allen key, unscrew and remove the grub screw securing the rope in the drum and set aside.
3. Remove old wire rope by sliding the end sideways into grub screw hole and pulling it out. Set old rope aside for disposal.
4. Uncoil the new wire rope and lay in a line on the ground in such a way that will avoid kinking or tangles when winding on to the drum.
5. Thread the 'PLUG' end of the new wire rope between the tines of the overwind lever. Insert plug end of wire rope into drum casing and slide sideways to clear grub screw hole. Replace grub screw using allen key and tighten into place.
6. Insert the 'EYE' end of the new wire rope through aperture in the steel plate above the hook, pull through and secure rope eye to the load hook, using the pin and cotter pin previously removed (replace cotter pin if unfit for further use).
7. Applying hand tension to the wire rope, wind in the rope on to the drum using the 'UP' button. Ensure even winding throughout this operation, as uneven winding will cause bunching and may damage the rope and shorten its life.
8. Suitably pack and dispose of the old wire rope safely and responsibly.



**WIRE ROPES ARE NOT COVERED BY WARRANTY.**

## TAKING CARE OF THE WINCH – HANDY TIPS

CP winches are a valuable item of equipment for working on site, but care should be taken to ensure the winch is packed away and stored in a responsible manner to minimise potential damage to external parts. It is recommended that either a suitable storage suspension point is fitted to vehicles or storage areas, or at least that the winch is protected by a suitable storage bag, protective covering or kept in a storage box. CP winches should be routinely cleaned before taking off site or into storage.

## ROUTINE INSPECTION & MAINTENANCE

To maintain optimum performance and condition of your CP winch, it is important to carry out periodical checks.

**BRAKING: Check continuously each time the winch is used and following a full service.**

There are two braking systems. One is a ratchet system, which stops the load from back driving the winch only. The second unit is a resistance coil which dissipates the excess current produced when a heavy load is lowered; this stops the motor from over speeding due to the load back driving the motor when lowering over a long distance. Therefore to test correctly, a load would have to be put onto the winch to check that the load stops correctly over a short distance and that the load does not over run over a long distance. All this should be observed during a normal working schedule when it was last used or during a full service.

**CARBON BRUSHES: Check every 1 to 3 months depending on use and loading conditions.**

Brushes can wear rapidly if the hoist is continuously run at its maximum load all the time or especially if there is a voltage drop resulting from overlong extension leads or incorrectly sized cable extension leads.

**MOTOR: Check commutator every 1 to 3 months depending on use and loading conditions.**

The motor can only be checked during a major strip down. When the carbon brushes are removed, the commutator can be seen. If it is badly scored or blued, the motor should be checked by a qualified electrician.

**POWER LEAD AND WANDERLEAD CONTROL: Visual inspection daily.**

The power lead and wanderlead should both be inspected before use to make sure that the outer insulation isn't damaged, that all the plugs are undamaged and the cable connections into the plugs are tight. The wanderlead emergency stop button and control buttons must also be checked for free movement and correct operation.

**WINCH SUPPORT HOOK AND SAFETY LOCK: Visual inspection daily.**

Before use, check that the hook and support fittings are secure and are moving freely. Lubricate if necessary with light oil.

**WIRE ROPE: Visual inspection daily.**

Check the wire rope for damage before use. This should be done before lifting any goods by powering the rope completely out and then back on by keeping tension on the rope while doing so.

NOTE: During this operation protective gloves must be worn. Check for kinks, broken strands and flattening of the rope during this operation.

**MARKING LABELS: Visual inspection at major service.**

Check for wear and damage. Replace if necessary.

## SERVICING

It is recommended that CP winch are returned to the supplier for a full service and load tested every 3 years or after 250 hours of use – whichever is the soonest.

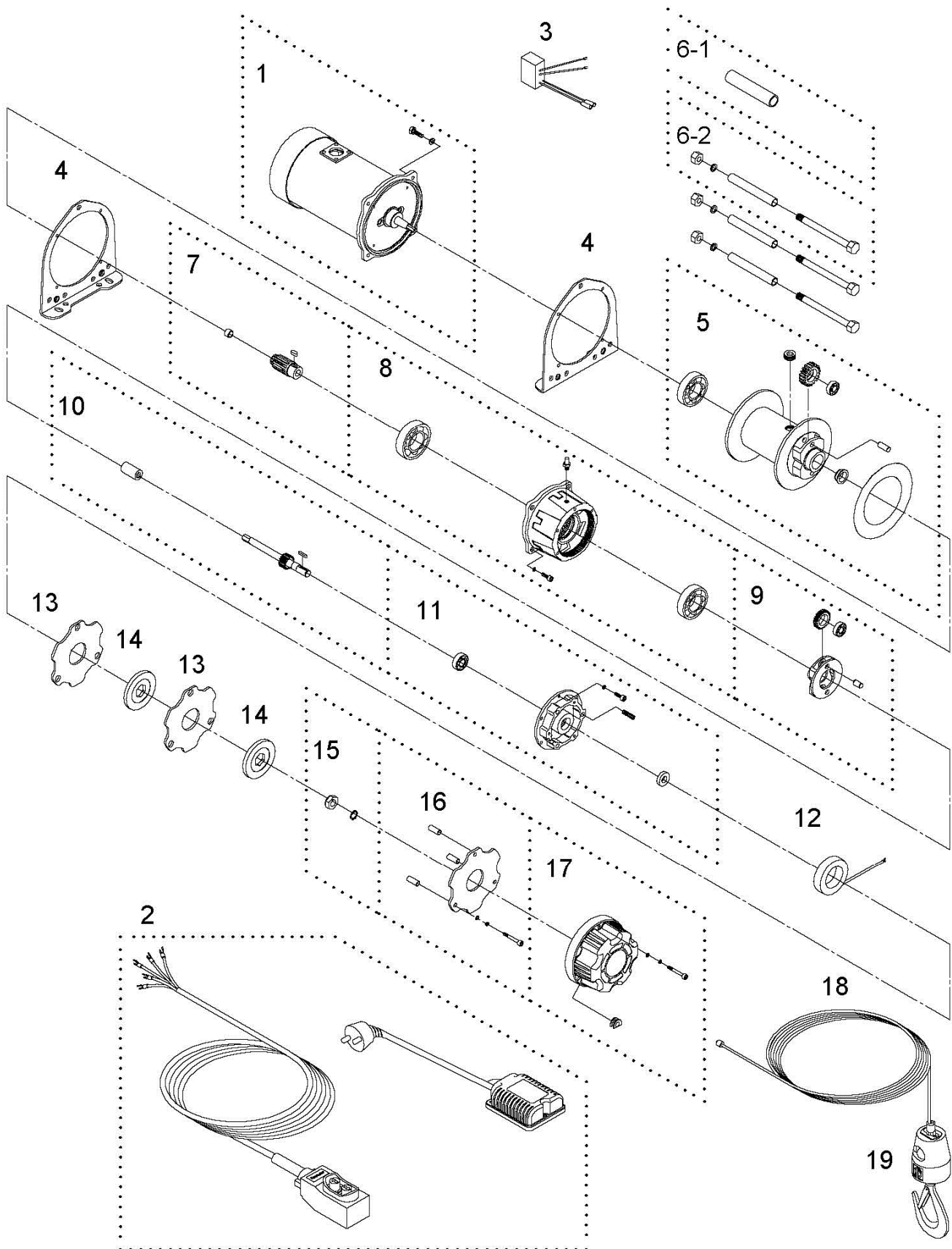
## TROUBLE SHOOTING

Below are some tips on trouble shooting with a CP winch, further advice is readily available from the BHW Group Ltd.

SYMPTOM	POSSIBLE CAUSES	CORRECTIONS
<b>No power</b>	Faulty wiring on power lead or poor electrical source Burnt out rectifier(s) on power source Burnt out motor	Check power lead and power source Replace rectifier(s) - note +/- poles Replace motor
<b>Can lift, but fails to lower</b>	Burnt out rectifier(s) on motor side Malfunction of 'DOWN' button on wanderlead	Replace rectifier(s) - note +/- poles) Replace 'DOWN' switch in wanderlead
<b>Can lower, but fails to lift</b>	Burnt out rectifier(s) on motor side Malfunction of 'UP' button on wanderlead	Replace rectifier(s) - note +/- poles Replace 'UP' switch in wanderlead
<b>Short circuit</b>	Melted 'B' contact of wanderlead Short circuit on rectifier on motor side Burnt out motor	Replace wanderlead Replace rectifier (note +/- poles) Replace motor
<b>Failure to lift the rated load</b>	Overloaded	Reduce load
<b>Failure to hold rated load after stopping</b>	Worn brake	Replace or adjust brake
<b>Brake distance is too long at 'no load'</b>	Worn brake	Check brake or replace
<b>Smell of burning or smoke</b>	Malfunction of brake Malfunction of contact of pendant switch Winch has debris inside, impairing operation	Replace brake Replace pendant switch Remove debris and clean outer housing (do not use jet sprays)

## WINCH PARTS

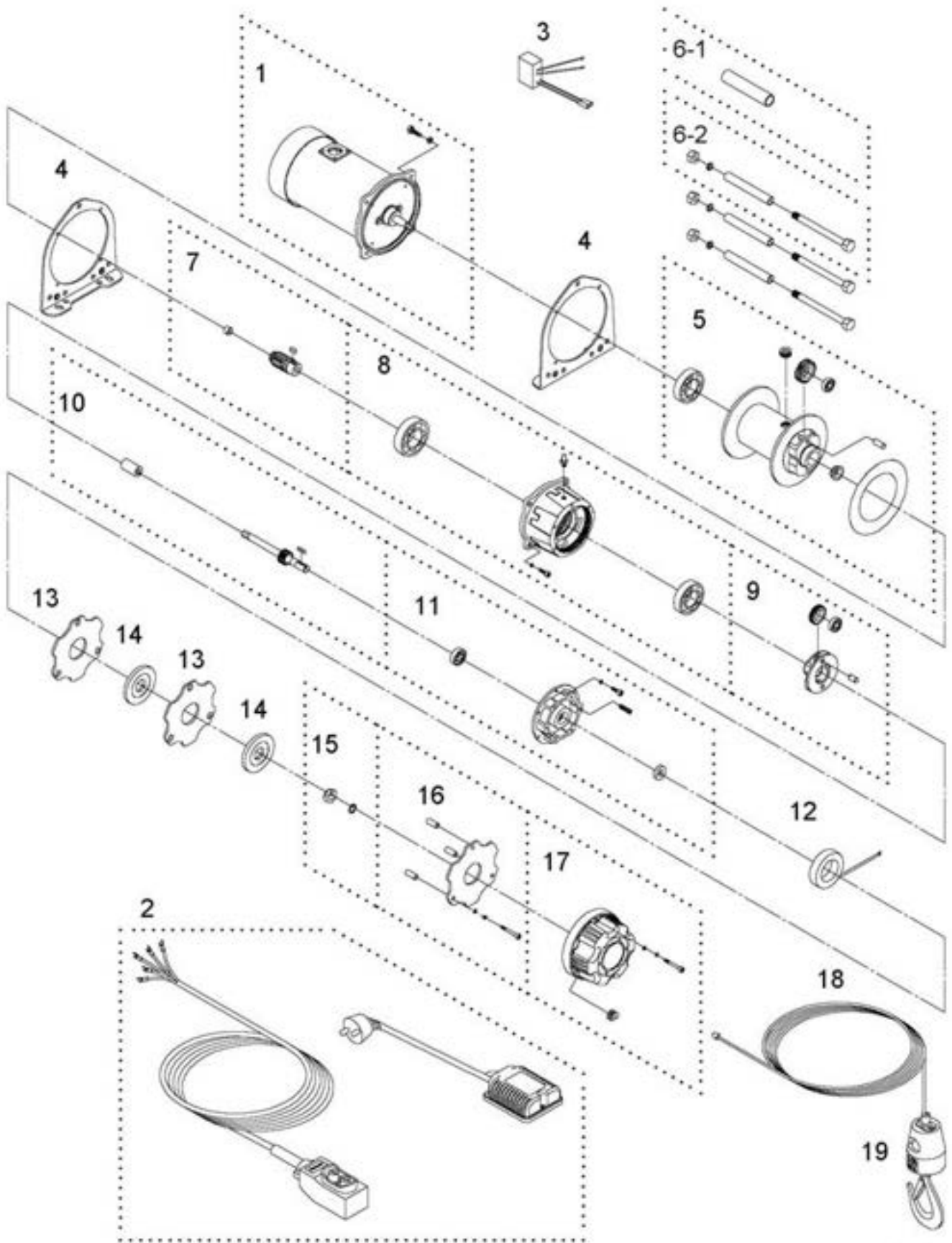
Parts diagram CP250, 110V & 240V



Ver:4

## WINCH PARTS

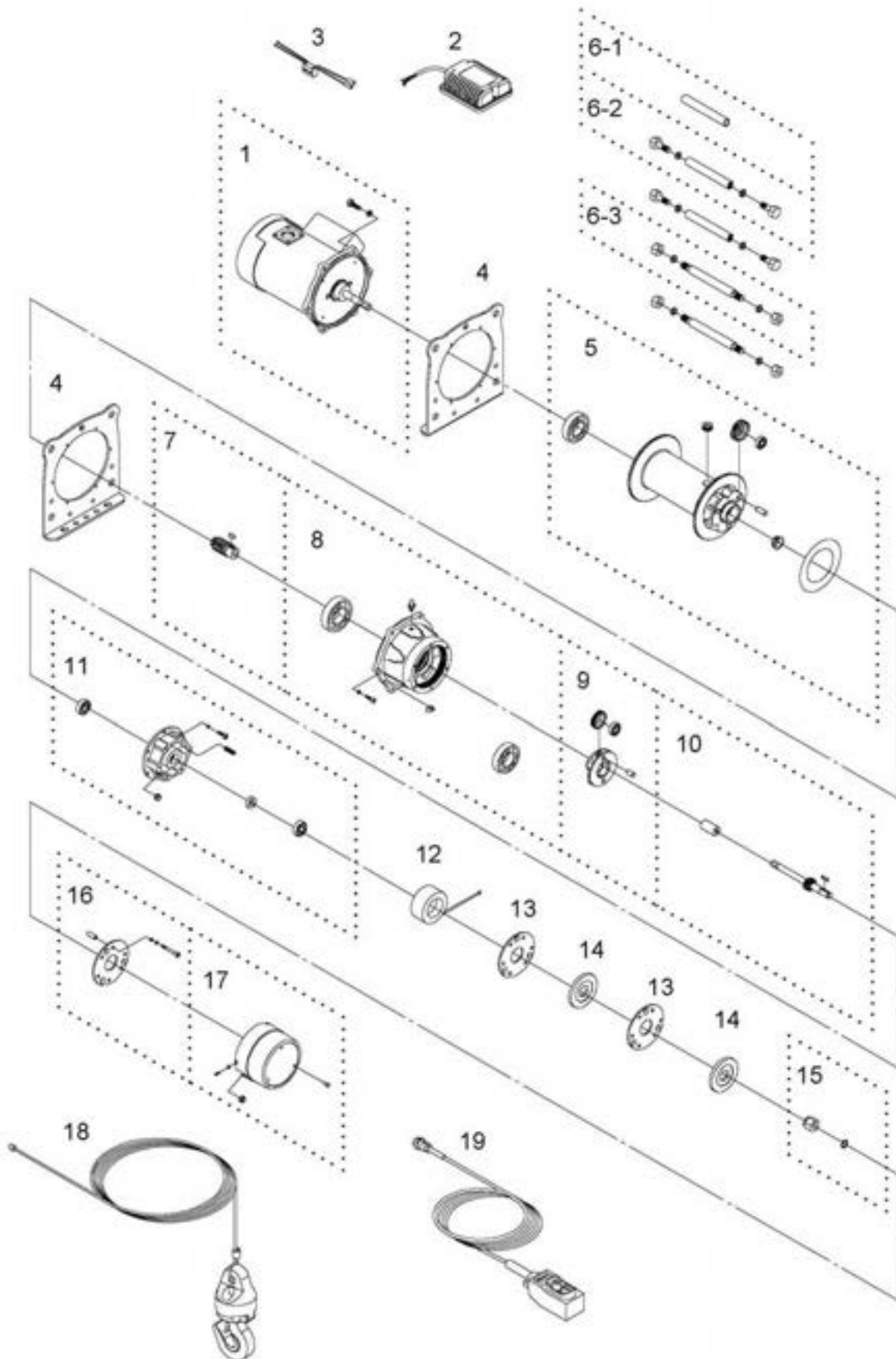
Parts diagram CP300, 240V only



Ver:4

## WINCH PARTS

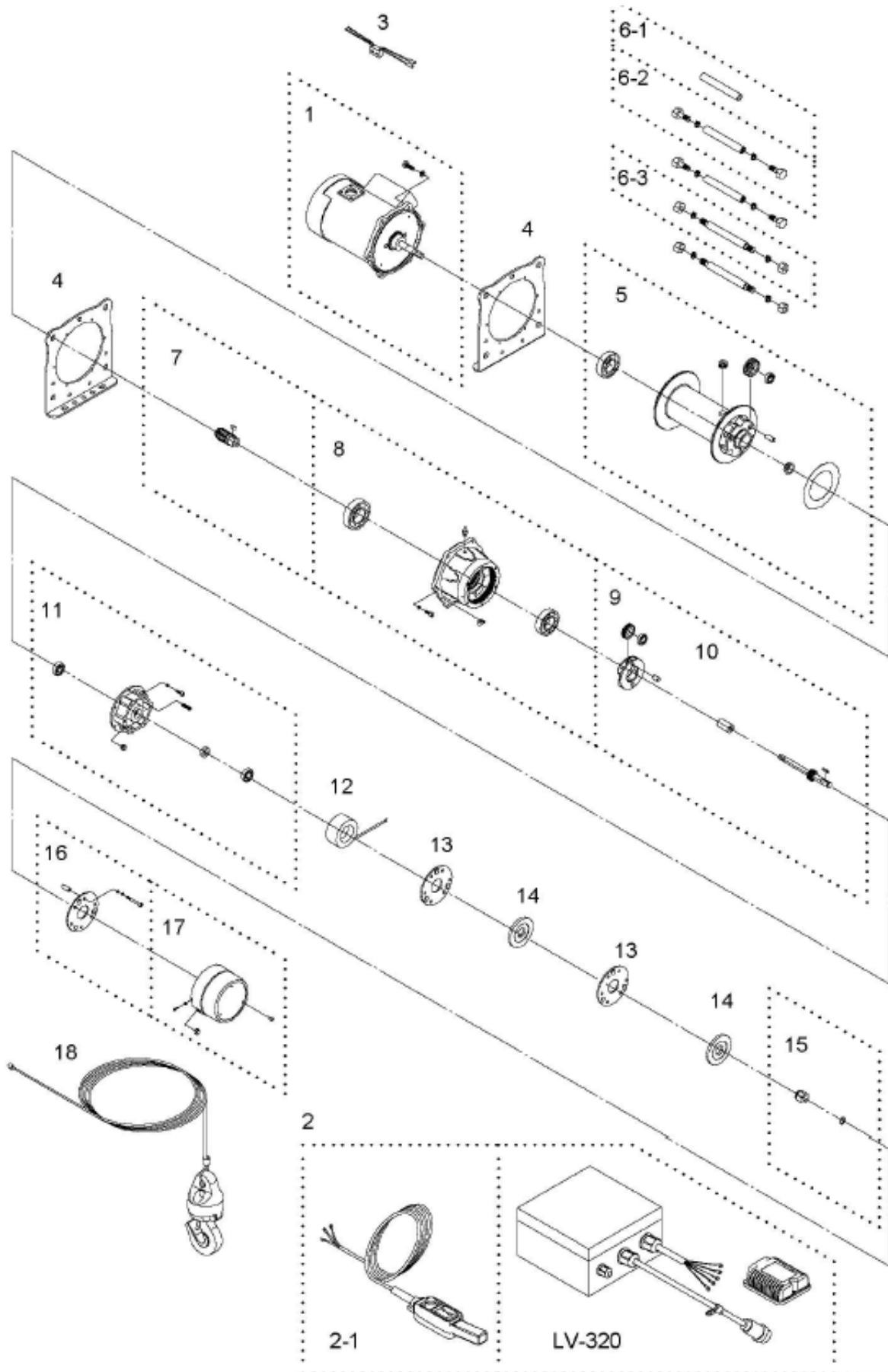
Part diagram CP500, 240V



Ver:7

**WINCH PARTS**

Part diagram CP500, 415V



Ver:3

## WINCH PARTS

### CP250 & CP300

Parts description - CP250			
No.	BHW no.	Description	Qty
1	13967	Induction motor kit 110V/240V - 880405	1
2	14334	Control kit comes with lead & PB-331 - 880400	1
3	7926	Bridge rectifier CBR-061 - 880368	1
4	14335	Support Bracket - 880369	2
5	14336	Drum kit - 880370	1
6	14337	Tie bar kit - 880371	3
7	14338	2nd Shaft kit - 880372	1
8	14339	Gearbox kit - 880373	1
9	14340	1st Stage carrier - 880374	1
10	14341	1st Shaft kit - 880375	1
11	14342	Conductor kit - 880376	1
12	7923	Brake coil 110V - 880377	1
13	14343	Conductor plate A - 880403	1
14	14344	Brake disc - 880379	1
15	14345	Hex socket - 880380	1
16	14346	Conductor plate B kit - 880381	1
17	8253	Brake cover - 880382	1
18	10627	Wire rope 6mm x 30m	1
19	7921	Weighted hook CHW-0031 - 880384	1

Parts description - CP300			
No.	BHW no.	Description	Qty
1	14347	Induction motor kit 240V - 880415	1
2	14334	Control kit comes with lead & PB-331 - 880400	1
3	7926	Bridge rectifier CBR-061 - 880368	1
4	14335	Support Bracket - 880369	2
5	14336	Drum kit - 880370	1
6	14337	Tie bar kit - 880371	3
7	14338	2nd Shaft kit - 880372	1
8	14339	Gearbox kit - 880373	1
9	14340	1st Stage carrier - 880374	1
10	14341	1st Shaft kit - 880375	1
11	14342	Conductor kit - 880376	1
12	7923	Brake coil 110V - 880377	1
13	14343	Conductor plate A - 880403	1
14	14344	Brake disc - 880379	1
15	14345	Hex socket - 880380	1
16	14346	Conductor plate B kit - 880381	1
17	8253	Brake cover - 880382	1
18	10627	Wire rope 6mm x 30m	1
19	7921	Weighted hook CHW-0031 - 880384	1

## WINCH PARTS

### CP500 (240V) & CP500T (415V)

Parts description - CP500			
No.	BHW no.	Description	Qty
1	11326	Induction motor 240V 50Hz - 880453	1
2	13288	Terminal box kit - 880424	1
3	8969	Bridge rectifier CBR-072 - 880425	1
4	13272	Support bracket - 880426	2
5	13273	Drum kit - 880427	1
6..1	13274	Tie bar - 880428	1
6..2	13275	Tie bar kit - 880429	2
6..3	13276	Tie bar kit - 880430	2
7	13277	2nd Shaft kit - 880431	1
8	13278	Gearbox kit - 880432	1
9	13279	1st Stage carrier - 880433	1
10	13280	1st Shaft kit - 880434	1
11	13281	Conductor kit - 880435	1
12	13260	Brake coil 240V - 880436	1
13	13282	Conductor plate A - 880438	2
14	14344	Brake disc - 880379	2
15	13284	Hex socket - 880440	1
16	13285	Conductor plate A kit - 880437	1
17	13286	Brake cover - 880442	1
18	3502	Wire rope 7mm x 45m	1
19	13287	Weighted hook CHW-0005 - 880444	1
20	14154	Remote control assembly - 880389	1

Parts description - CP500T			
No.	BHW no.	Description	Qty
1	11325	Induction motor 415V 50Hz - 881379	1
2	13271	Terminal box kit - 880957	1
3	8969	Bridge rectifier CBR-072 - 880425	1
4	13272	Support bracket - 880426	2
5	13273	Drum kit - 880427	1
6..1	13274	Tie bar - 880428	1
6..2	13275	Tie bar kit - 880429	2
6..3	13276	Tie bar kit - 880430	2
7	13277	2nd Shaft kit - 880431	1
8	13278	Gearbox kit - 880432	1
9	13289	1st Stage carrier - 881301	1
10	13290	1st Shaft kit - 881302	1
11	13281	Conductor kit - 880435	1
12	13260	Brake coil 240V - 880436	1
13	13282	Conductor plate A - 880438	2
14	14344	Brake disc - 880379	2
15	13284	Hex socket - 880440	1
16	13285	Conductor plate A kit - 880437	1
17	13286	Brake cover - 880442	1
18	3502	Wire rope 7mm x 45m	1
19	13287	Weighted hook CHW-0005 - 880444	1
20	5733	Low volt pendant lead 3m with control	1

## WARRANTY

BHW Group Ltd warrants each new CP winch and ancillary equipment supplied against factory defects in material and workmanship for one year from date of purchase.

The responsibility for uninstalling the hoist or ancillary equipment is the owner's, together with its return, transportation prepaid to BHW Group Ltd.

BHW Group Ltd will, under this warranty, without charge repair or replace at its option, parts, which on inspection are deemed to be defective.

The loss of use of the produce, loss of time, inconvenience, commercial loss or consequential damages are not covered.

Warranty does not apply where the product has been tampered with or altered in any way, or where the serial number or date stamp has been defaced, altered or removed, or if in the view of BHW Group Ltd the damage or failure occurred from misuse, negligence or accident.

**NOTE: This is a mechanical product and as such requires regular, routine maintenance (see page 16). Subject to duty cycle, some consumable parts are not likely to be covered by warranty. This would typically apply to items like wire ropes and motor brushes. BHW Group Ltd will always examine any product whilst under warranty and advise accordingly.**

BHW Group Ltd reserve the right to change the design of any product without assuming any obligation to modify any product previously supplied.

Hoists or equipment returned under warranty should be despatched to BHW Group Ltd service department at the address shown below, with full name and address of sender, a statement detailing the defect and proof of purchase.



Service Department  
BHW Group Ltd  
Unit 6 South Orbital Trading Park  
Hedon Road Hull HU9 1NJ

Telephone: +44 (0)1482 223 663  
Email: [sales@bhwgroup.com](mailto:sales@bhwgroup.com)  
Website: [www.bhwgroup.com](http://www.bhwgroup.com)

<b>CP WINCH MODEL &amp; VOLTAGE.....</b>
<b>SERIAL NUMBER.....</b>
<b>DATE OF PURCHASE.....</b>

*CP Winch is manufactured in Taiwan.*